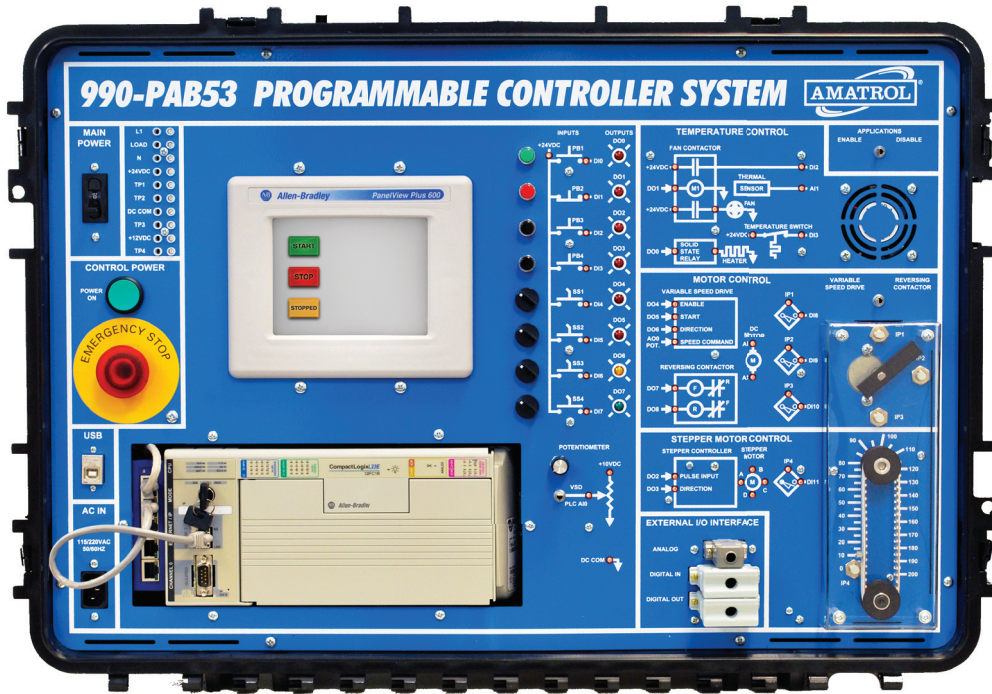


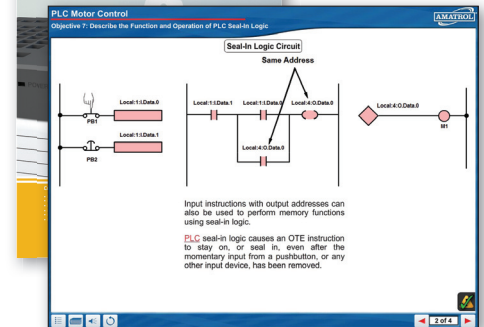
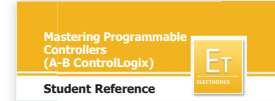
Portable PLC Learning System - Allen Bradley CompactLogix

990-PAB53



990-PAB53

Student Reference Guide



Interactive Multimedia Curriculum



Portable Workstation

Learning Topics:

- Basic Panelview Plus Terminal Operation
- Panelview Plus Application Editing
- PLC Program Operations
- PLC Programming
- PLC Motor Control
- PLC Timer and Counter Instructions
- Event Sequencing
- Program Control Instructions
- Math and Data Instructions
- Analog Inputs
- Analog Outputs
- Variable Output Applications

Amatrol's PLC Learning System (990-PAB53) is a portable solution for when there is a need to teach PLCs where there is limited space such as in a conference room, lab area, or even a shop floor desk! Its compact size and durable case also provide for safe storage when your limited space must be used for teaching other subjects or when the system must be transported to a different location in the facility for use.

Learners use the powerful Allen-Bradley CompactLogix 5300 PLC, PanelView Plus terminal, and networks throughout the curriculum to build basic skills, such as program editing, to more advanced skills, such as analog output scaling.

The system's highly-interactive multimedia curriculum takes the learner through 14 modules covering 89 skills that provides an unmatched breadth and depth of knowledge and skill building! Only Amatrol can provide this level of training using a compact, portable workstation!



Technical Data

Complete technical specifications available upon request.

Portable Case

Suitcase: 28.8" L x 20.1" W x 14.8" D
Durable ABS Plastic

Workstation on Mounted Panel

Circuit Breaker

Master Control Relay Circuit

Allen Bradley Compact Logix 5300

24 VDC Power Supply

12 VDC Power Supply

I/O Simulator

- 1 Green Normally-Open Pushbutton
- 1 Red Normally-Closed Pushbutton
- 2 Black Normally-Open Pushbuttons
- 4 Two-position Selector Switches
- 6 Red Indicators
- 1 Yellow Indicator
- 1 Green Indicator
- 1 Potentiometer for Analog Input Adjustment

Thermostatic Temperature Application

Analog Temperature Application

Reversing Motor Starter Application

Variable Speed Motor Control Application

Stepper Motor Control Application

Power Cord

Student Curriculum (M11136)

Instructor Guide (C11136)

Install Guide (D11136)

Student Reference Guide (H11136)

Additional Requirements:

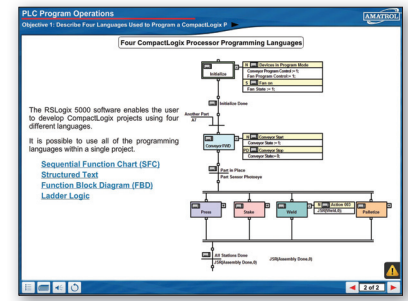
See <http://www.amatrol.com/support/computer-requirements>

Utilities Required:

120/220 VAC, 60 /50 Hz, Power Outlet

Rich Applications: Basic Through Advanced

The 990-PAB53 Learning System enhances learning through a wide array of real world applications that allow students to actually see their programs control real systems. In addition to a discrete I/O simulator with switches and indicators, the 990-PAB53 includes application circuits and components for thermostatic temperature control, analog temperature control, reversing constant-speed motor control, variable speed motor control with feedback, and stepper motor homing and commissioning. These circuits include basic and advanced applications starting with discrete I/O projects and extending to projects involving analog I/O.



Interactive Multimedia

Modern Curriculum with PanelView Plus Terminal and Networking



The 990-PAB53 curriculum teaches modern PLCs with the PanelView Plus terminal and networking introduced in the basic skills and applied throughout the curriculum. Learners cover a wide variety of program commands beyond timers and contacts, such as stepper motor control, Pulse-Width Modulation (PWM) control, and analog control. This is made possible by the extensive Amatrol curriculum and the modern features of the Allen-Bradley CompactLogix 5300 PLC. Featuring a wide range of analog, discrete, data, and networking commands, learners will quickly develop relevant and critical skills to be job ready in modern industry environments.

Portable Learning On The Go!!

The 990-PAB53 is a mobile training platform that can be used to deliver training where needed, easy to store and transport. It features a sturdy portable case with wheels and a handle for easy movement. The 990-PAB53 can easily be used in conference rooms, at a plant floor desk, in a lab - pretty much wherever you need. The cover is quickly removed to enable the case to sit firmly upright on a table surface for any learner to use. The cover also locks so that the workstation can be safely stored when not in use.



Complimentary Student Reference Guide

A sample copy of the PLC Learning System's Student Reference Guide is included with the system for your evaluation. Sourced from the PLC multimedia curriculum based on the Allen-Bradley CompactLogix 5300, the Student Reference Guide takes the entire series' technical content contained in the learning objectives and combines them into one perfect-bound book. Student Reference Guides supplement these courses by providing a condensed, inexpensive reference tool that learners will find invaluable once they finish their training making it the perfect course takeaway.

If you would like to inquire about purchasing additional Student Reference Guides for your program, contact your local Amatrol Representative for more information.

Options for Expanded Learning

The 99-FTSAB53 Portable PLC Troubleshooting Learning System can be added to your 990-PAB53 to further expand learning opportunities. The optional 99-FTSAB53 focuses on PLC troubleshooting, features 35+ electrical faults, and utilizes FaultPro. Amatrol's FaultPro is the industry's premier program utilizing electronic faults, FaultPro 4.0 covers topics such as solving software problems, testing input devices, and troubleshooting power supply problems. Only Amatrol has the ability to insert faults electronically, utilizing FaultPro, to create a real-world troubleshooting experience.

