

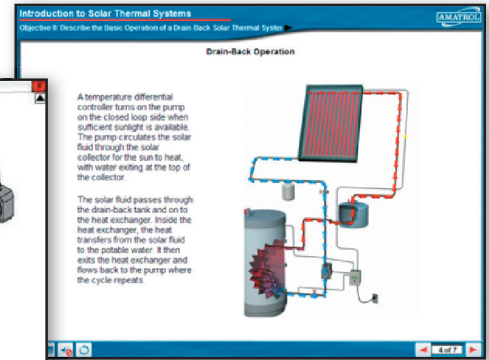
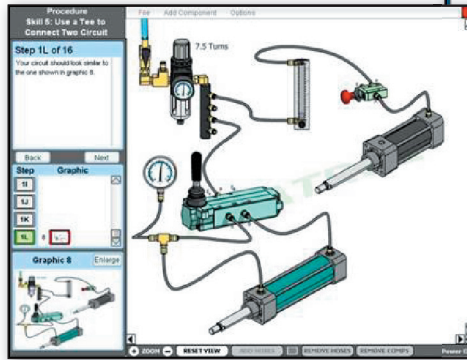
Amatrol High School eLearning Programs



STEM

HVAC

ITC



MECHATRONICS

CONSTRUCTION

GREEN TECHNOLOGY



Anytime, Anywhere Access

Low Cost

Interactive

Key Technology Knowledge

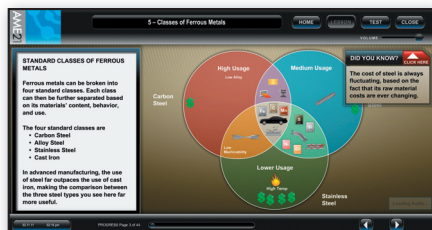
Builds Problem Solving Ability

Amatrol's High School eLearning programs prepare students for careers in high tech professions across many technologies. As the world leader in innovative, interactive learning solutions, each of our High School eLearning Programs bring together technology and foundation skills. All programs include core courses in mechanical, electrical, and industrial technology such as Basic Electricity, Pneumatics, and Hydraulics; Measurement; Mechanisms; Manufacturing Processes; Electrical Control; Print Reading; Mathematics; Trigonometry; Communication Skills; Conflict Resolution; and Working in Groups.

Amatrol High School eLearning Programs

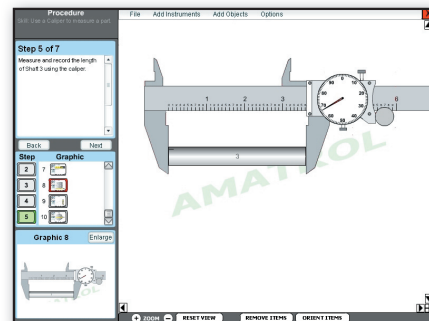
STEM

STEM (Science, Technology, Engineering, and Mathematics) features strong mathematics integrated with engineering topics such as testing structural elements, science topics like learning the chemical changes within metals during heat treatment, and technological topics including how programmable logic controllers make automated manufacturing possible.



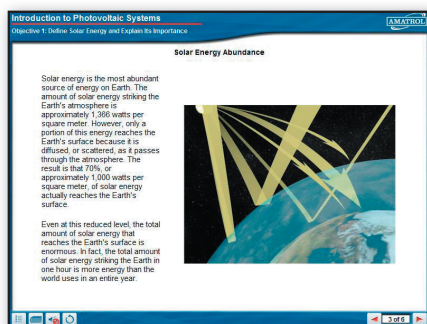
ITC

ITC (Integrated Technology Concepts) teaches a broad array of critical technical skills across various technology sectors, including pneumatics, robotics, graphic design, technology, surveying, materials, and many more.



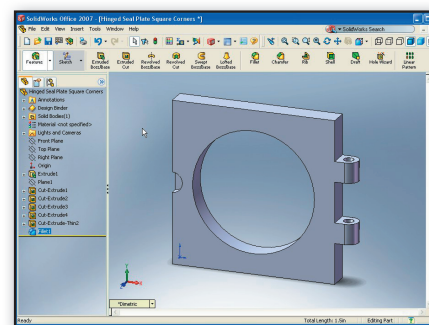
MECHATRONICS

Mechatronics lets students study about robotics, programmable logic controllers, electric sensors, and computer aided design software to begin paths toward careers like electrical engineering, technical maintenance, and computer programming.



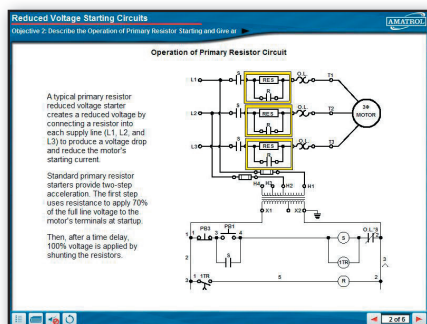
GREEN TECHNOLOGY

Green Technology is a rapidly growing field with a strong need for highly-skilled professionals specifically trained for solar and wind power applications. Topics covered include components of wind turbines, solar positioning, solar site analysis, etc.



CONSTRUCTION

Construction is a vital industry that requires a variety of professionals with expertise in many specific areas. This program will cover topics like basic electrical, hydraulics, and pneumatics, structural engineering, mechanical fabrication, and thermal applications.



HVAC

HVAC (Heating, Ventilation, and Air Conditioning) is a field filled with high-demand opportunities requiring proficient knowledge in thermal science, electrical wiring, prints and drawings, mechanical fabrication, and motor control.

